



DEPARTMENT OF THE ARMY
CORPS OF ENGINEERS, NEW ORLEANS DISTRICT
7400 LEAKE AVE
NEW ORLEANS LA 70118-3651

September 16, 2019

Operations Division
Eastern Evaluation Section
Project Manager
Benjamin Sherman
Benjamin.C.Sherman@usace.army.mil
(504) 862-2041

SUBJECT: MVN 2019-00904 ES

PUBLIC NOTICE

Interested parties are hereby notified that an application has been received by the District engineer for a Department of the Army permit to authorize the following pursuant to (X) Section 10 of the Rivers and Harbors Act of March 3, 1899 (30 Stat. 1151; 33 USC 403); and/or () Section 404 of the Clean Water Act (86 Stat. 816; 33 USC 1344).

Commercial Oyster Farm in Caminada Bay in Grand Isle, Jefferson Parish

NAME OF APPLICANT: Grand Isle Port Commission Attn: Wayne Keller, P.O. Box 500
Grand Isle, LA 70358

LOCATION OF WORK: Project site is located within Caminada Bay, Grand Isle, Louisiana, in Jefferson Parish, as shown on the attached drawings.

Latitude: 29.239439 Longitude: -90.018308 Hydrologic Unit Codes: 08090301 East Central Louisiana Coastal

CHARACTER OF WORK: Project involves constructing a 13.7 acre commercial off-bottom oyster farm zone with long lines containing 10 floating OysterGro cages that will be anchored to the water bottom. Longlines will be separated by 28 feet and approximately 100 OysterGro cages will be placed per an acre lot.

The comment period will close **15 days** from the date of this public notice advertisement. Written comments, including suggestions for modifications or objections to the proposed work, stating reasons therefore, are being solicited from anyone having interest in this permit request. Letters must reference the applicant's name and the subject number, be addressed and mailed to the above address, ATTENTION: REGULATORY BRANCH. **Individuals or parties may request an extension of time in which to comment on the proposed work by writing or e-mailing the Corps of Engineers Project Manager listed above. Any request must be specific and substantively supportive of the requested extension, and received by this office prior to the end of the initial comment period. The Section Chief will review the**

request and the requestor will be promptly notified of the decision to grant or deny the request. If granted, the time extension will be continuous to the initial comment period and, inclusive of the initial comment period, will not exceed a total of 30 calendar days.

The decision whether to issue a permit will be based on an evaluation of the probable impacts, including cumulative impacts of the proposed activity on the public interest. That decision will reflect the national concern for both protection and utilization of important resources. The benefit which reasonably may be expected to accrue from the proposal must be balanced against its reasonably foreseeable detriments. All factors which may be relevant to the proposal will be considered including the cumulative effects thereof; among those are conservation, economics, aesthetics, general environmental concerns, wetlands, historic properties, fish and wildlife values, flood hazards, floodplain values, land use, navigation, shoreline erosion and accretion, recreation, water supply and conservation, water quality, energy needs, safety, food and fiber production, mineral needs, considerations of property ownership and, in general, the needs and welfare of the people.

The U.S. Army Corps of Engineers is soliciting comments from the public, federal, state, and local agencies and officials, Indian Tribes, and other interested parties in order to consider and evaluate the impacts of this proposed activity. Any comments received will be considered by the U.S. Army Corps of Engineers to determine whether to make, modify, condition, or deny a permit for this proposal. To make this decision, comments are used to assess impacts on endangered species, historic properties, water quality, general environmental effects, and other public interest factors listed above. Comments are used in the preparation of an Environmental Assessment and/or an Environmental Impact Statement pursuant to the National Environmental Policy Act. Comments are also used to determine the need for a public hearing and to determine the overall public interest of the proposed activity.

The New Orleans District is unaware of properties listed on the National Register of Historic Places near the proposed work. The possibility exists that the proposed work may damage or destroy presently unknown archeological, scientific, prehistorical, historical sites, or data. Issuance of this public notice solicits input from the State Archeologist and State Historic Preservation Officer regarding potential impacts to cultural resources.

The New Orleans District has determined that the project footprint is located in waters known to be utilized by the West Indian manatee (*Trichechus manatus*) and determined the activity is "not likely to adversely affect" this species based on the Standard Local Operating Procedure for Endangered Species in Louisiana (SLOPES), dated October 22, 2014, between the U.S. Army Corps of Engineers, New Orleans and U.S. Fish and Wildlife Service, Ecological Services Office. If authorized, "The Standard Manatee Conditions for In-Water Activities" will be made part of the permit's special conditions.

Our initial finding is that the proposed work would neither affect any species listed as endangered by the U.S. Department of Interior nor affect any habitat designated as critical to the survival and recovery of any endangered species.

This notice initiates the Essential Fish Habitat (EFH) consultation requirements of the Magnus-Stevens Fishery Conservation and Management Act. The applicant's proposal would result in the destruction or alteration of **13.7** acres of **EFH** utilized by various life stages of red drum and penaeid shrimp. Our initial determination is that the proposed action would not have a substantial adverse impact on EFH or federally managed fisheries in the Gulf of Mexico. Our final determination relative to project impacts and the need for mitigation measures is subject to review by and coordination with the National Marine Fisheries Service.

If the proposed work involves deposits of dredged or fill material into navigable waters, the evaluation of the probable impacts will include the application of guidelines established by the Administrator of the Environmental Protection Agency and certification that the proposed activity will not violate applicable water quality standards will be required from the Louisiana Department of Environmental Quality, Office of Environmental Services, before a permit is issued.

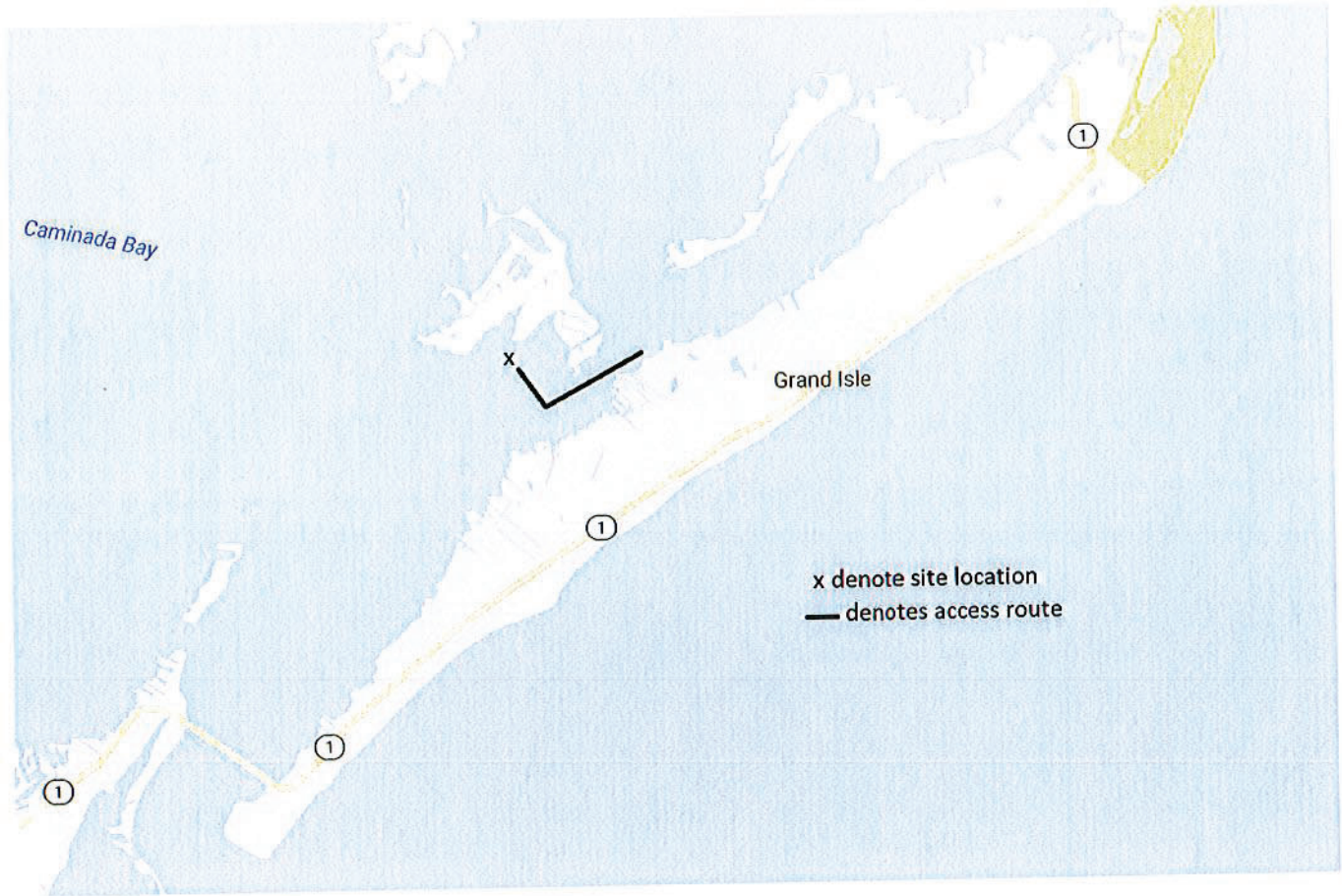
The applicant has certified that the proposed activity described in the application complies with and will be conducted in a manner that is consistent with the Louisiana Coastal Resources Program. The Department of the Army permit will not be issued unless the applicant received approval or a waiver of the Coastal Use Permit by the Department of Natural Resources.

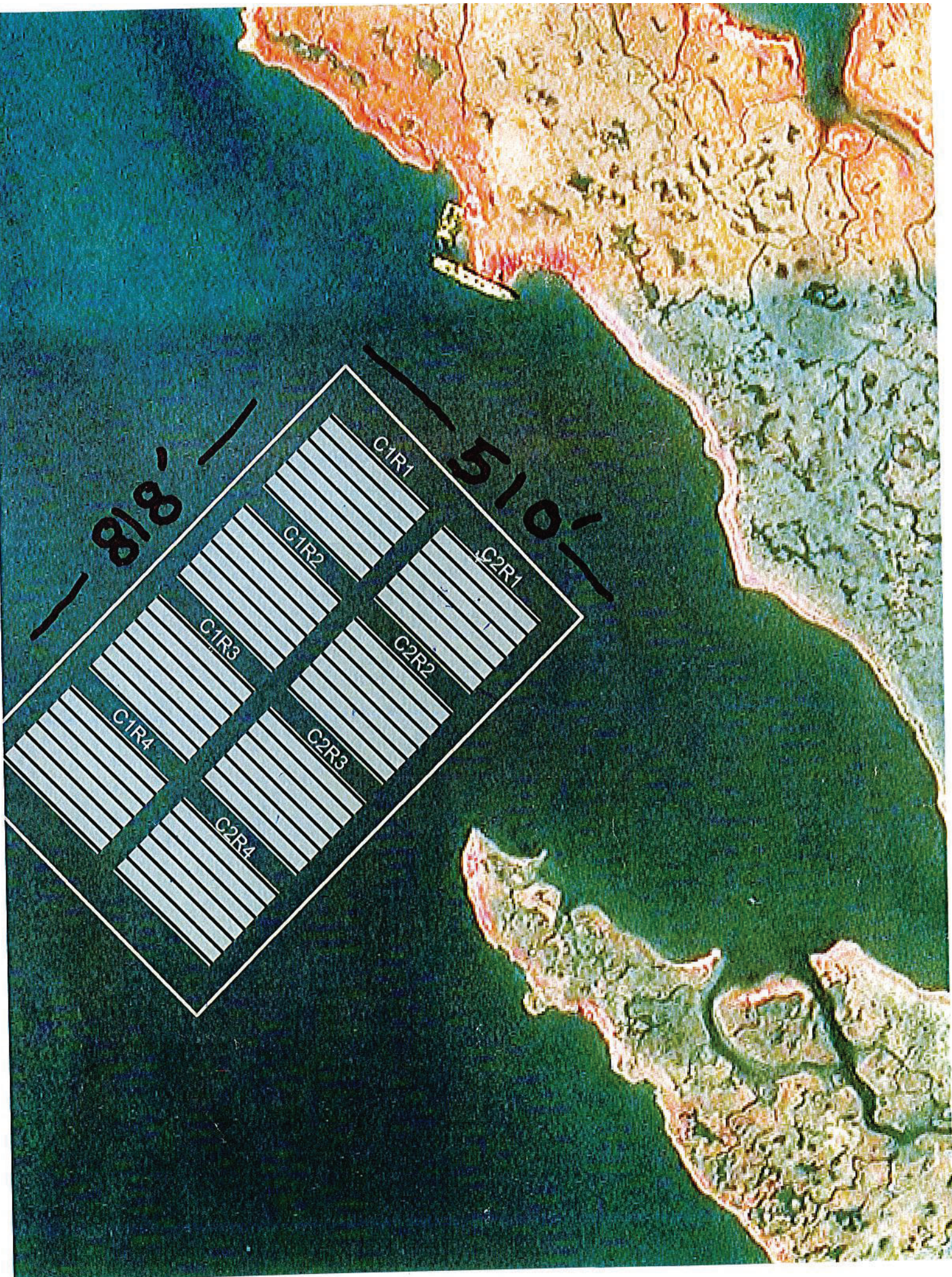
Any person may request, in writing, within the comment period specified in this notice, that a public hearing be held to consider this application. Requests for public hearings shall state, with particularity, the reasons for holding a public hearing.

You are requested to communicate the information contained in this notice to any other parties whom you deem likely to have interest in the matter.

Michael V. Farabee
Chief, Eastern Evaluation Section

Enclosures





88

510

C1R1

C1R2

C2R1

C1R3

C2R2

C1R4

C2R3

C2R4

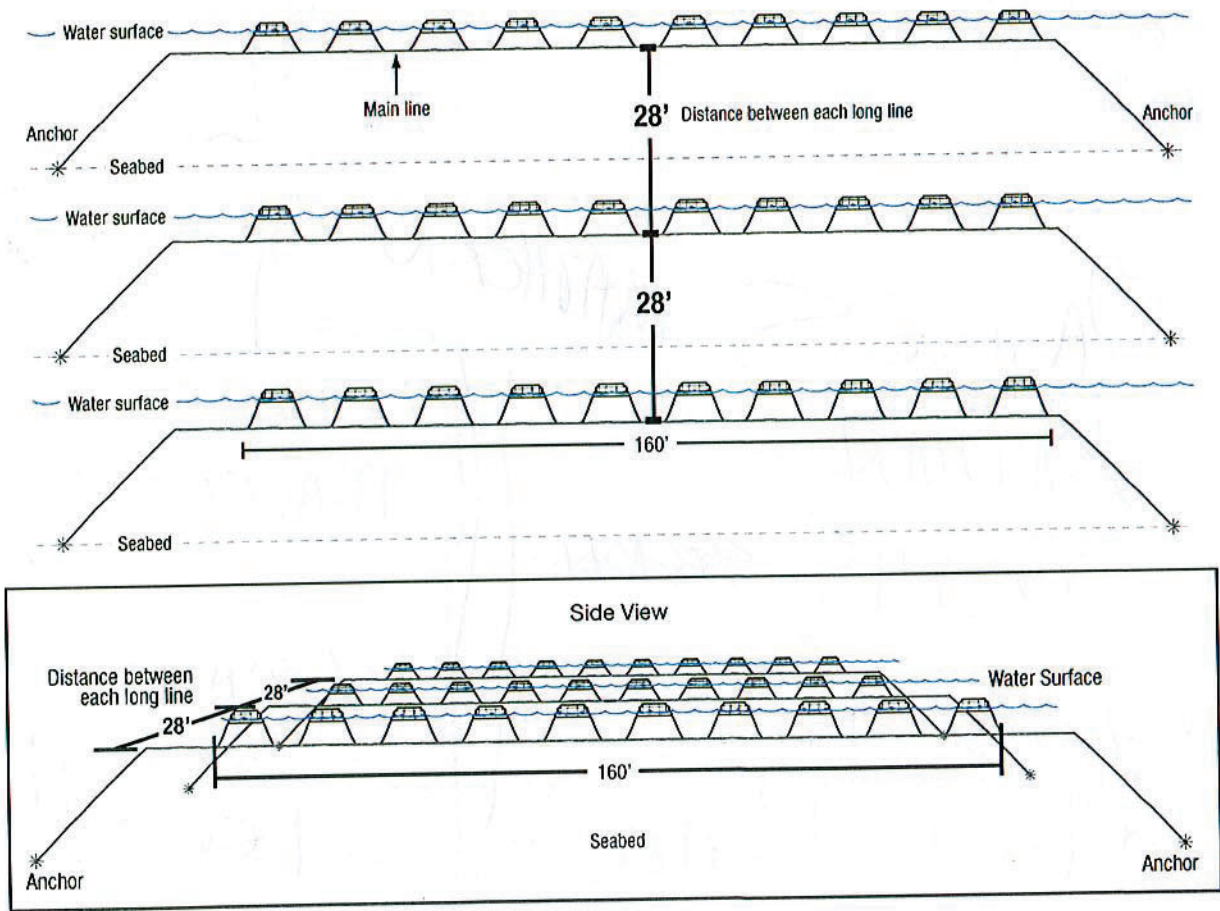
Plot	UTM Zone 15 WGS84		Geographic WGS84			
	X	Y	Longitude dd	Latitude dd	Longitude dms	Latitude dms
Plot C1R1 FID3						
SW	789813.446	3238199.648	-90.01831	29.239441	-90° 1' 5.9154"	29° 14' 21.987"
NW	789774.740	3238239.201	-90.018698	29.239806	-90° 1' 7.3128"	29° 14' 23.3016"
NE	789827.033	3238290.317	-90.018147	29.240255	-90° 1' 5.3286"	29° 14' 24.918"
SE	789865.738	3238250.765	-90.017759	29.239889	-90° 1' 3.9318"	29° 14' 23.6004"
Plot C2R1 FID6						
SW	789874.836	3238258.913	-90.017664	29.239961	-90° 1' 3.5898"	29° 14' 23.8596"
NW	789836.13	3238298.467	-90.018051	29.240326	-90° 1' 4.983"	29° 14' 25.173"
NE	789888.423	3238349.582	-90.0175	29.240775	-90° 1' 2.9994"	29° 14' 26.7894"
SE	789927.128	3238310.03	-90.017113	29.240409	-90° 1' 1.6062"	29° 14' 25.4718"
Plot C1R2 FID2						
SW	789860.681	3238151.377	-90.017837	29.238995	-90° 1' 4.2132"	29° 14' 20.3814"
NW	789821.974	3238190.931	-90.018225	29.23936	-90° 1' 5.61"	29° 14' 21.696"
NE	789874.268	3238242.046	-90.017674	29.239809	-90° 1' 3.6258"	29° 14' 23.3124"
SE	789912.973	3238202.494	-90.017287	29.239443	-90° 1' 2.2326"	29° 14' 21.9948"
Plot C2R2 FID7						
SW	789922.071	3238210.642	-90.017191	29.239515	-90° 1' 1.887"	29° 14' 22.254"
NW	789883.364	3238250.196	-90.017578	29.23988	-90° 1' 3.2808"	29° 14' 23.5674"
NE	789935.658	3238301.312	-90.017028	29.240329	-90° 1' 1.3002"	29° 14' 25.1838"
SE	789974.363	3238261.759	-90.01664	29.239963	-90° 0' 59.9034"	29° 14' 23.8662"
Plot C1R3 FID1						
SW	789907.918	3238103.105	-90.017365	29.238549	-90° 1' 2.5134"	29° 14' 18.7758"
NW	789869.212	3238142.659	-90.017752	29.238914	-90° 1' 3.9072"	29° 14' 20.0904"
NE	789921.505	3238193.774	-90.017201	29.239363	-90° 1' 1.9236"	29° 14' 21.7068"
SE	789960.21	3238154.222	-90.016814	29.238997	-90° 1' 0.5298"	29° 14' 20.3892"
Plot C2R3 FID5						
SW	789969.308	3238162.371	-90.016718	29.239069	-90° 1' 0.1842"	29° 14' 20.6484"
NW	789930.602	3238201.924	-90.017106	29.239434	-90° 1' 1.581"	29° 14' 21.9618"
NE	789982.895	3238253.04	-90.016555	29.239883	-90° 0' 59.5974"	29° 14' 23.5782"
SE	790021.6	3238213.488	-90.016167	29.239518	-90° 0' 58.2006"	29° 14' 22.2648"
Plot C1R4 FID0						
SW	789955.163	3238054.827	-90.016892	29.238103	-90° 1' 0.8106"	29° 14' 17.1702"
NW	789916.457	3238094.38	-90.017279	29.238468	-90° 1' 2.2044"	29° 14' 18.4848"
NE	789968.75	3238145.496	-90.016728	29.238917	-90° 1' 0.2208"	29° 14' 20.1012"
SE	790007.455	3238105.944	-90.016341	29.238551	-90° 0' 58.827"	29° 14' 18.7836"
Plot C2R4 FID4						
SW	790016.553	3238114.092	-90.016245	29.238623	-90° 0' 58.4814"	29° 14' 19.0428"
NW	789977.847	3238153.646	-90.016633	29.238988	-90° 0' 59.8782"	29° 14' 20.3562"
NE	790030.14	3238204.761	-90.016082	29.239437	-90° 0' 57.8946"	29° 14' 21.9726"

Layout of Long Lines

A typical long line consists of one individual row of 10 to 12 OysterGro Units (view figure II). The units are linked together with 3/8" ropes (view figure III). Proper anchorage is necessary to hold the units to the seabed. A long line is about 160 ft long and rule of thumb, 100 OysterGro cages can be set on a one-acre lot.

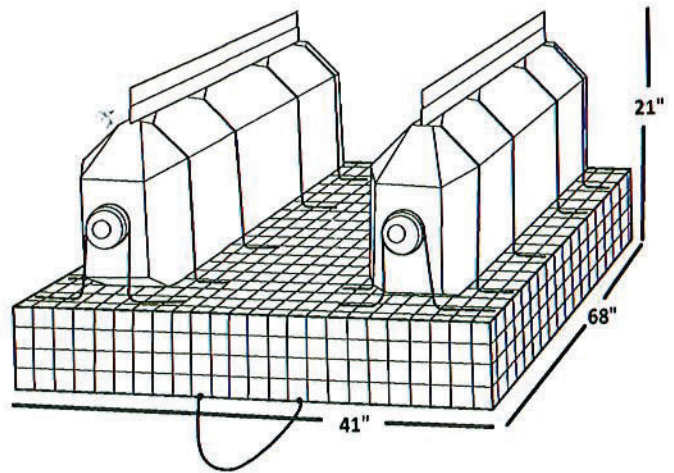
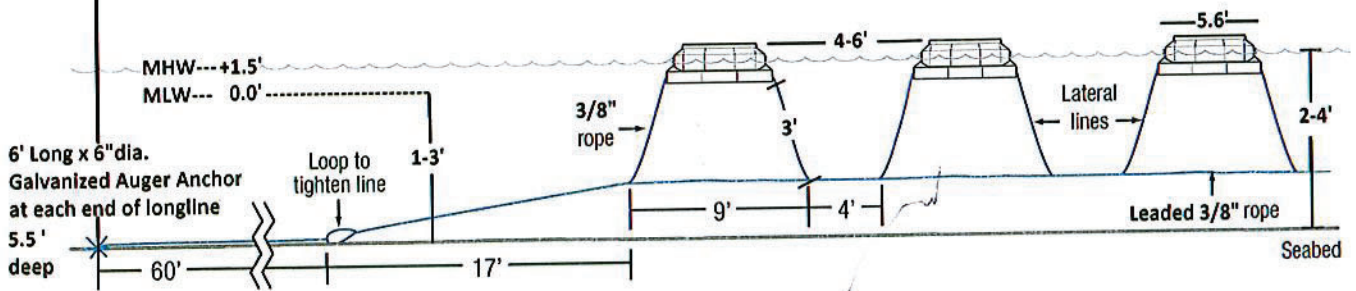
Figure II – Long lines

Orientation of longlines to one another.
Ten longlines of 10 floating cages each per oyster farm.



These diagrams show the rope system.

2" PVC Pipe with reflective orange/black tape
 Marking anchor location



3/8" dia. Rope bridle on each ends.

3/8" dia. Lateral lines are attached to rope bridle

OysterGro cage description

